

hp



HP Color LaserJet 2550 printer series
Impressive colour, remarkably affordable



Create quality colour business documents —in-house

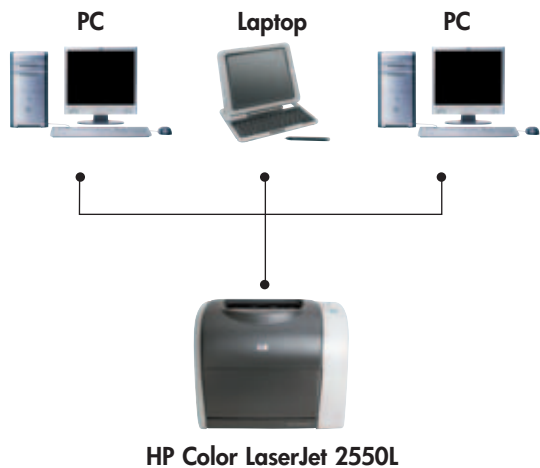
Create more for your business with colour. Using colour for your business documents will allow you to enhance the effectiveness of your communications by making your documents stand out and get noticed.



The affordable HP Color LaserJet 2550 printer series combines the advantages of high-quality laser colour with the versatility of an everyday monochrome laser printer.

Perfect for small businesses, you can now bypass the cost and hassle of outsourcing your printing requirements with a compact printer that fits easily into any workplace.

Professional colour performance —at an affordable price



Cost effective for small workgroup networking



HP reliability



Replace print cartridges easily



Control panel conveniently lets you check print supplies and status



Compatible with a wide range of operating systems

Affordable colour without compromise

- **Cost effective and simple networking.** Get easy and cost-effective small workgroup sharing through internal HP Jetdirect networking or an HP Jetdirect external print server¹. Optional HP networking interfaces include wireless capabilities.
- **Easy connectivity.** Choose the connection best suited to your business needs with the Hi-Speed USB 2.0 and 1284-B parallel ports.
- **Space-saving.** A compact design that fits easily into any work environment, including a desktop.
- **Versatile compatibility.** Built-in HP PCL 6 and Adobe PostScript® level 3 emulation drivers provide professional and dependable network printing. This printer is compatible with a wide variety of Windows® and Macintosh operating systems².
- **HP reliability.** HP is the only printer vendor to receive an 'A' rating for Printer Service and Reliability for twelve years in a row from PC Magazine's annual Readers' Choice survey, and recently received one of the first 'A+' ratings awarded.

Easy to use, manage and maintain

- **Less user intervention.** Produce large print jobs while enjoying less user intervention with standard 5,000-page³ high yield HP black print cartridges and 2,000-page³ HP cyan, magenta and yellow print cartridges.
- **Simple cartridge replacement.** The toner carousel automatically positions the low or empty cartridge in the top position for quick and effortless one-handed replacement.
- **Check printer status at a glance.** The front control panel lets you check printer supplies and status at a glance.
- **Flexible media handling.** Reduce time spent replenishing supplies with versatile paper-handling options such as a 125-sheet multipurpose tray and optional high capacity 250- and 500-sheet input trays⁴. You can also handle custom or thick-media jobs using the convenient straight-through paper path.

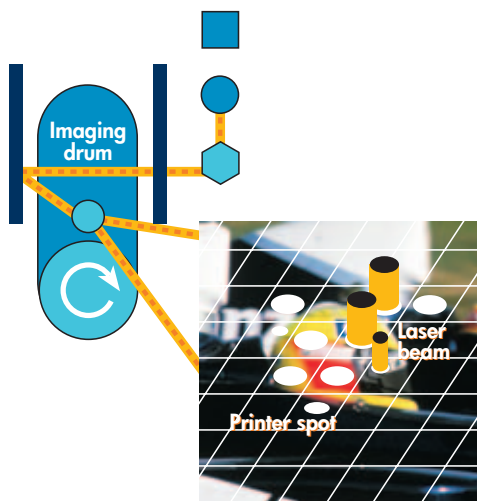
¹ Internal HP Jetdirect 10/100 Ethernet networking included on the HP Color LaserJet 2550LN and the HP Color LaserJet 2550N models only.

² Windows NT4 support for print driver only.

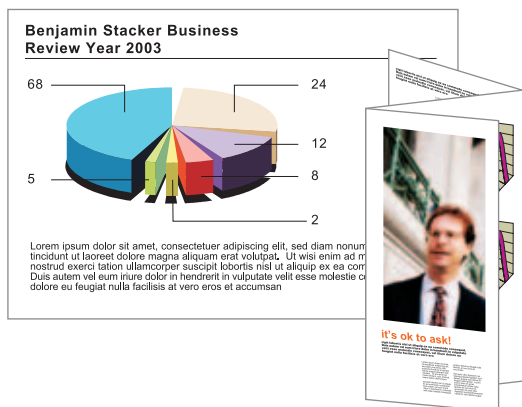
³ With 5% average page coverage. 4,000-page HP cyan, magenta and yellow print cartridges are available from HP Smart printing supplies.

⁴ 125-sheet multipurpose tray standard on all models, 250-sheet input tray optional on all models except the HP Color LaserJet 2550N, 500-sheet input tray optional on all models.

Get colour without compromise



Vivid colour and sharp text with HP ImageREt 2400



Create your own professional marketing and business collateral



Get the details with advance edge enhancement and trapping

Impressive results

- **Create business-quality documents and images.** HP ImageREt 2400 (Resolution Enhancement technology) layering technology and advanced toner formulas gives you a wide colour gamut for brighter colours and blacker blacks, producing sharp text and graphics and consistent colour quality over the life of the printer.
- **Enjoy fast efficient LaserJet printing.** Print at speeds of up to 4 ppm colour and up to 20/19 ppm black (letter/A4). No warm-up time with Instant-on Technology. The new fuser technology allows you to print on a variety of media, including HP High Gloss LaserJet paper and HP Premium Color paper.
- **Handles complex print jobs easily.** Utilise on-board 264 MHz processor and standard 64 MB of RAM (expandable to 192 MB) to handle complex print jobs. Robust 30,000-page per month duty cycle will give you reliable, worry free printing and low printer downtime.

HP Color LaserJet quality

- **High-resolution laser imaging system.** Multi-level laser exposure technology produces superior tone rendition by combining up to 4 colours within a single 600 dpi pixel and by precisely varying the amount of toner in each pixel, creating millions of smooth colours, sharp images and crisp text.
- **Intelligent colour control.** Get consistent print quality over your printer's life with intelligent colour control technologies like colour calibration for excellent colour uniformity and colour selection options such as sRGB, Vivid or Device colour printing.
- **Edge enhancement.** Edge enhancement technologies have two components. Adaptive halftoning increases the edge smoothness of text and graphics while maintaining the quality of area fills to provide accurate crisp edges. Trapping is the deliberate overlapping of one colour to an adjacent colour to reduce the effect of colour plane misregistration, resulting in accurate colour transitions.



HP worldwide customer service and support:

The HP assurance

For greater peace of mind, every HP product comes with award winning HP service and support⁵—HP Customer Care. Our highly experienced and knowledgeable customer service professionals are there to help you—online (www.hp.com/support) via email or on the phone for fast response—round the clock, round the globe in as many as 18 languages.

HP Pay per use service

HP Pay per use service provides a comprehensive solution that combines the hardware, services, support, supplies and reporting with flexible payment options of level pay, base plus click and cost per page (with minimum). The HP Pay per use service offers our customer cost transparency and budgetary certainty whilst increasing device availability, user satisfaction and productivity.



Best Support Services
ComputerWorld Reader's
Choice Award 2003.

⁵ 9 consecutive years—ComputerWorld Reader's Choice Awards.



Colour toner particles—
HP (smooth) vs. conventional (jagged)

HP Original LaserJet Print Cartridge. The science behind brilliant printing.

High tech, high performance

70% of HP LaserJet printing technology is in the cartridge. Smaller, more uniformly shaped HP colour toner particles deliver richer, sharper colours and more even tones, so your documents always look their best.

Unmatched reliability

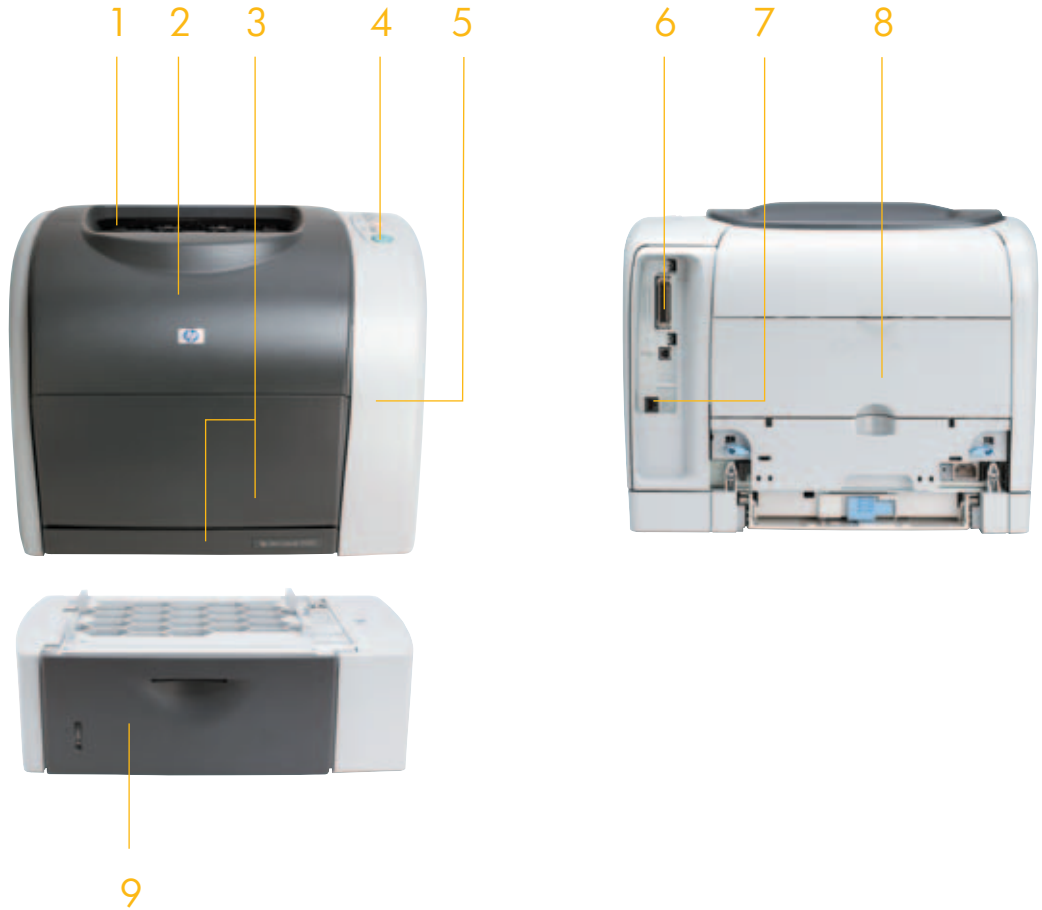
Painstakingly engineered and tested to work perfectly with HP LaserJet printers, you get reliable, consistent print results and peace of mind with HP original LaserJet print cartridges.

Smart management

Access real-time toner usage data stored in the cartridge with HP Smart technology and make better purchase decisions.

HP Color LaserJet 2550 printer series

1. 125-sheet output bin
2. One-door access to the four easy-to-install print cartridges
3. 125-sheet multipurpose tray and 250-sheet input tray 2
4. Simple control panel provides instant supplies information
5. 64 MB of standard printing memory and a powerful 264 MHz processor perform complex tasks quickly
6. Built-in Hi-Speed USB 2.0 and parallel ports
7. Built-in HP Jetdirect print server enables cost-effective networking
8. Rear output door provides a straight-through path
9. Optional 500-sheet input tray 3 for an 875-sheet total input capacity



HP Color LaserJet 2550n as shown (with optional 500-sheet input tray)

HP Color LaserJet 2550 printer series at-a-glance

HP Color LaserJet 2550L

- 125-sheet multipurpose tray
- 5000-page HP black print cartridge¹
- 2000-page HP cyan, magenta and yellow print cartridges¹

HP Color LaserJet 2550Ln

- 125-sheet multipurpose tray
- Built-in HP Jetdirect print server
- 5000-page HP black print cartridge¹
- 2000-page HP cyan, magenta and yellow print cartridges¹

HP Color LaserJet 2550n

- 125-sheet multipurpose tray
- 250-sheet input tray 2
- Built-in HP Jetdirect print server
- 5000-page HP black print cartridge¹
- 4000-page HP cyan, magenta and yellow print cartridges¹

¹ Five percent page coverage

Technical specifications

HP Color LaserJet 2550L



HP Color LaserJet 2550Ln



HP Color LaserJet 2550n



Print speed¹	Black: up to 19 ppm (A4)/20 ppm (letter); Colour: up to 4 ppm A4
First page out	Approximately 18 seconds black, 29 seconds colour
Resolution	600 x 600 dpi with HP ImageREt 2400
Processor	264 MHz Motorola CFV4e
Memory	64 MB built-in SDRAM; Expandable to 192 MB with one open, industry-standard, 100-pin SDRAM DIMM slot
Duty cycle	30,000 pages per month
Media	
Media handling	2550L/2550Ln: 125-sheet multipurpose tray 2550n: 125-sheet multipurpose tray, 250-sheet input tray 2
Output	125 sheet face down bin, rear output door for special media
Sizes	Tray 1: 3 x 5 inches to 8.5 x 14 inches (76.2 x 127 mm to 216 x 356 mm); Tray 2: 5.8 x 8.3 inches to 8.5 x 14 inches (176 x 250 mm to 216 x 356 mm). Sizes: A4, A5, A6, B5
Weights	Tray 1: 16 to 47 lb (60 to 177 g/m ²); Tray 2: 16 to 28 lb (60 to 105 g/m ²)
Types	Paper (plain, letterhead, prepunched, bond, color, rough, preprinted, recycled), HP Glossy Media, HP Cover Paper, HP Color LaserJet Transparencies, labels, envelopes and card stock
Connectivity	
Interfaces	2550L: Hi-Speed USB 2.0 port, IEEE 1284-B compliant parallel port 2550Ln/2550n: Hi-Speed USB 2.0 port, IEEE 1284-B compliant parallel port, built-in HP Jetdirect 10/100Base-TX Ethernet/Fast Ethernet print server
Languages and fonts	HP PCL 6 and HP postscript level 3 emulation with automatic language switching; 80 TrueType™ internal scalable PCL 6 fonts; 80 TrueType internal scalable HP postscript fonts
Client operating systems	Microsoft Windows 98, 2000, Me, XP, NT 4.0 (driver only, other printer software is not available); Mac OS 9.1, X v.10.1 and later; UNIX®, Linux, and OS/2 (limited functionality)
Network operating systems	Microsoft Windows 98, Me, 2000, XP, NT 4.0; Mac OS 9.x, OS X
Network protocols supported	2550Ln/2550n: TCP/IP (IP Direct Mode, LPD), Apple Rendezvous (mDNS), Telnet, SLP, IGMP, BOOT/DHCP, WINS, SNMP v 1m and v2c, HTTP
Dimensions (H x D x W)	2550L/2550Ln: 12.8 x 17.8 x 18.98 inches (325 x 452 x 482 mm) 2550n: 14.8 x 17.8 x 18.98 inches (376 x 452 x 482 mm)
Weight	2550L: 47.9 lb (21.7 kg) 2550Ln: 48 lb (21.8 kg) 2550n: 53.5 lb (24.2 kg)
What's in the box	2550L: HP Color LaserJet 2550L printer, power cable, CD (includes the User Guide and printer software), Getting Started Guide, imaging drum, HP 5000-page black print cartridge, and HP 2000-page cyan, yellow and magenta print cartridges 2550Ln: HP Color LaserJet 2550Ln printer, power cable, CD (includes the User Guide and printer software), Getting Started Guide, built-in HP Jetdirect print server, imaging drum, HP 5000-page black print cartridge, and HP 2000-page cyan, yellow and magenta print cartridges 2550n: HP Color LaserJet 2550n printer, 250-sheet input tray 2, power cable, CD (includes the User Guide and printer software), Getting Started Guide, built-in HP Jetdirect print server, imaging drum, HP 5000-page black print cartridge, and HP 4000-page cyan, yellow and magenta print cartridges

¹ Exact speed varies depending on the system configuration, software application, driver, and document complexity.

HP Color LaserJet 2550 printer series

Technical specifications

Operating environment	Operating temperature:	59 to 90.5 ° F (15 to 32.5 ° C)
	Recommended temperature:	68 to 81 ° F (20 to 27 ° C)
	Storage temperature:	-4 to 104 ° F (-20 to 40 ° C)
	Relative humidity:	20 to 70 percent, non-condensing

Acoustics	Sound power:	Printing: LwAm 6.6 B(A), Standby: 0
	Operator sound pressure:	Printing: LpAm 62 dB(A), Standby: 0
	Bystander sound pressure:	Printing: LpAm 52 dB(A), Standby: 0

Power specifications¹	110-volt models:	110 to 127 V (± 10 percent), 60 Hz (± 3 Hz)
	220-volt models:	220 to 240 V (± 10 percent), 50 Hz (± 3 Hz)

Power consumption	2550L	2550Ln	2550n
	Printing:	368 watts	381 watts
Standby:	17 watts	18 watts	19 watts
Off:	<1 watt	<1 watt	<1 watt
Energy Star [®] compliant			

Product certifications	Safety certifications: IEC 60950 compliant; safety UL listed; EU LVD & EN60950 compliant; countries: Argentina (TUV S Mark-Rs.92/98/Ds.1009/98), Australia (AS/NZ 3260), Canada (cUL-CAN/CSA C22.2 No. 60950-00), China (GB 4943), Czech Republic (CSN-IEC 60950-IEC 60825-1), Estonia (EEI-EN60950-IEC 60825-1), EU (CE Mark-Low Voltage Directive 73/23/EEC), Germany (TUV- EN60950-IEC 60825-1), Hungary (MEEI- IEC 60950-IEC 60825-1), Lithuania (LS- IEC 60950-IEC 60825-1), Mexico (NOM NYCE-NOM 019 SCFI), Poland (B Mark- IEC 60950-IEC60825-1), Russia (GOST- R50377), Slovakia (IEC 60950-IEC60825-1), Slovenia (SQI- IEC 60950-EN60825-1), South Africa (IEC 60950-IEC60825-1), USA (UL-UL 60950; FDA-21 CFR Chapter 1 Subchapter J for lasers); class 1 laser/LED product
	EMC certifications: CISPR 22: 1997/EN 55022: 1998 Class B; EN 61000-3-2: 1995/A14; EN 61000-3-3:1995; EN 55024: 1998; FCC Title 47 CFR, Part 15 Class B; ICES-003, Issue 3; GB9254-1998; EMC Directive 89/336/EEC and the Low Voltage Directive 73/23/EEC, and carries the CE-Marking accordingly; list of countries: Australia (C Tick-AS/NZS 3548), Canada (Industry Canada ICES 003-CISPR 22), China (CISPR 22), EU (EMC Directive 89/336/EEC), ISE Countries (CISPR 22), Korea (MIC No. 1996-18), Poland (B-Mark-CISPR 22), Russia(GOST-CISPR 22), Taiwan (BSMI Certified-CNS 13438), USA (FCC Title 47 CFR Part 15 Class B); CISPR 22 Class B

Warranty	One year, limited hardware, return to authorized service center warranty with phone and Web support
-----------------	---

¹ Power requirements are based on the country/region where the printer is sold. Do not convert operating voltages. This will damage the printer and void the product warranty.

For more information, call your local Hewlett-Packard sales office or your nearest HP authorised dealer:

HP customer information centre (for product information)	
Australia	132347
China	+86 21 2898 2255
Hong Kong	+852 800 938 833
India	+9628 123 123 (Del/Mum/Blr) +1600 444 999 (other cities)
Indonesia	+0800 1111 222
Korea	+080 703 0700
Malaysia	+1800 88 4848
New Zealand	+0800 733 547
Philippines	+1800 1331 4488
Singapore	+1800 278 8100
Taiwan	+0800 236 686
Thailand	+662 353 9000
Vietnam	+848 823 6215

For the following countries, please fax your queries to: +65 6 275 6707
• Bangladesh • Brunei • Cambodia • Pakistan • Sri Lanka

HP customer care centre (for post-sales service)	
Australia	+61 3 8877 8000
China	+86 10 6868 7980
Hong Kong	+852 800 96 7729
India	+1600 112 267
Indonesia	+62 21 350 3408
Korea	+82 2 3270 0700
Malaysia	+60 3 2695 2566
New Zealand	+64 9 356 6640
Philippines	+63 2 867 3551
Singapore	+65 6 272 5300
Taiwan	+886 2 8722 8000
Thailand	+662 353 9000
Vietnam	+848 823 4530

Ordering information

Number	Description
Q3702A	HP Color LaserJet 2550L Printer
Q3703A	HP Color LaserJet 2550Ln Printer
Q3704A	HP Color LaserJet 2550n Printer

Paper handling

Q3709A	250-sheet input tray
Q3710A	500-sheet input tray

HP Smart printing supplies²

Q3960A	HP LaserJet 5,000-page black print cartridge
Q3961A	HP LaserJet 4,000-page cyan print cartridge
Q3962A	HP LaserJet 4,000-page yellow print cartridge
Q3963A	HP LaserJet 4,000-page magenta print cartridge
Q3971A	HP LaserJet 2,000-page cyan print cartridge
Q3972A	HP LaserJet 2,000-page yellow print cartridge
Q3973A	HP LaserJet 2,000-page magenta print cartridge
Q3964A	HP LaserJet imaging drum, 20,000 pages black, 5,000 pages colour

Memory

C9121A	128 MB SDRAM DIMM
C1887A	64 MB SDRAM DIMM
C7845A	32 MB SDRAM DIMM

Cables

C2950A	IEEE 1284 cable (a-b) 2 metre
C2951A	IEEE 1284 cable (a-b) 3 metre
C6518A	USB cable (a-b) 2 metre

Print servers

J3258B	HP Jetdirect 170x Ethernet, parallel connection
J6035C	HP Jetdirect 175x Ethernet/Fast Ethernet, USB connection
J3263A	HP Jetdirect 300x Ethernet/Fast Ethernet, parallel connection
J3265A	HP Jetdirect 500x Ethernet/Fast Ethernet, parallel connection
J7942A	HP Jetdirect en3700 Fast Ethernet, Hi-Speed USB 2.0 connection
J6061A	HP Jetdirect 380x 802.11b wireless, USB connection

Media

Q1298B	HP LaserJet Tough Paper, A4-size, 50 sheets
Q6542A	HP LaserJet Soft Gloss Paper, A4-size, 200 sheets
C2936A	HP LaserJet Colour Transparencies, A4-size, 50 sheets
92296U	HP LaserJet Monochrome Transparencies, A4-size, 50 sheets
Q2397A ³	HP Premium Choice LaserJet Paper, A4-size, 250 sheets
Q2407A ³	HP Office Paper, A4-size, 500 sheets
Q2408A ³	HP Office paper, letter size, 500 sheets
Q2400A ³	HP Everyday Paper, A4-size, 500 sheets
Q2398A ³	HP Everyday Paper, letter size, 500 sheets
Q6550A	HP Laser Photo Paper, A4-size, matt
Q6547A	HP Laser Photo Paper, A4-size, gloss
Q6548A	HP Laser Photo Paper, A3-size, gloss
Q6544A	HP Laser Paper, matt

Service and support

U4929A	HP Care Pack 3 years next day exchange
U8019A	HP Care Pack 4 years next day exchange
U8020A	HP Care Pack 5 years next day exchange
U2893A	HP Care Pack 3 years next day hardware
U8017A	HP Care Pack 4 years next day
U8018A	HP Care Pack 5 years next day
U3794A	HP Care Pack 3 years, 4hours 9x5
U2894A	HP Care Pack 3 years, 4hours 13x5 Hardware
U4930PA	HP Care Pack 1 year post warranty next day exchange
U2895PA	HP Care Pack 1 year post warranty next day
U4940PA	HP Care Pack 1 year post warranty, 4 hours 9x5
U3338PA	HP Care Pack 1 year post warranty, 4 hours 13x5

² All print cartridge page yields are at 5% average page coverage.
³ Available in selected Asia Pacific countries only.



For more information on HP Care Pack, visit:
<http://www.hp.com/apac/hpservices/carepack>
HP Instant Support Professional Edition (ISPE), visit:
<http://www.instant-support.asiapac.hp.com>

For more information on support, visit: <http://www.hp.com/support>

For more information on HP genuine parts, visit:
<http://www.hp.com/go/hpparts>

For specific warranty details, please check with your local country resellers.

© 2004 Hewlett-Packard Development Company, L.P.

The information contained herein is subject to change without notice. The only warranties for HP products and services are set forth in the express warranty statements accompanying such products and services. Nothing herein should be construed as constituting an additional warranty. HP shall not be liable for technical or editorial errors or omissions contained herein.

Printed in Singapore, 2001-2462-EFP, 04/2004

